



CONCEPTION ET FABRICATION D'INNOVATION MECANIQUE

## BM 14 BENCH BEVELING MACHINE 3"-14"

### ■ BM 14 ELECTRIC PREFAB SHOP MACHINE

- **Very fast** set up
- Quick tool holder **adjustment**
- **Perfect** machining finish
- Range: from 78 mm ID to 360 mm OD
- Exceptional 8 **sided** insert tool bit

#### Machine:

- Fast / **Silent** / Rigid
- Transportable
- 4 legged stand
- Manual clamping
- Manual feeding

#### Preparation:

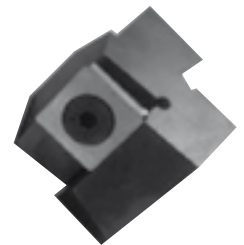
- Beveling / **Facing** / Counter boring
- etc...

- Motor: 380 V / 3 phases

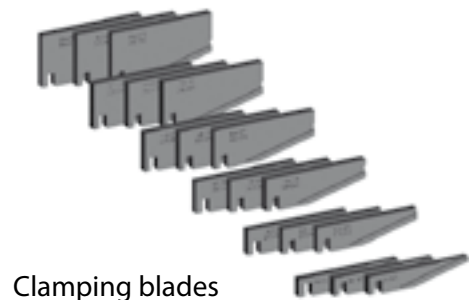
- Clamping range : 3" to 14"
- Stroke : 60 mm
- Wall thickness: up to 1" in one step

#### OPTIONS

- Hydraulic drive
- Pneumatic drive
- Hydraulic clamping
- Automatic feeding

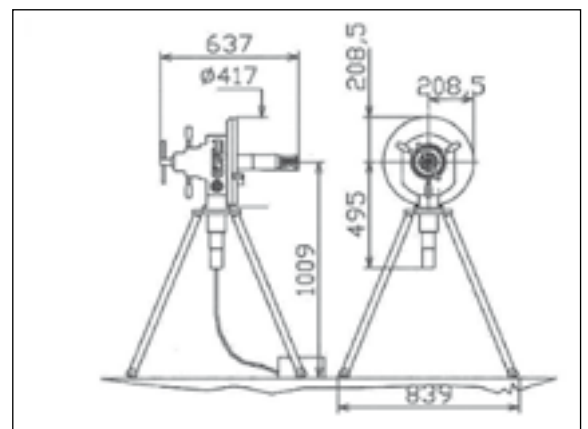
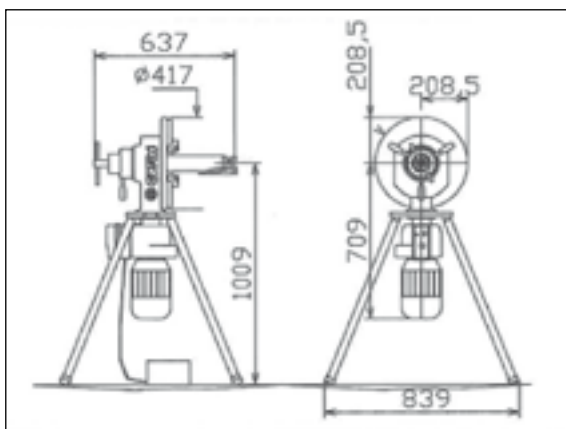


8 sided insert



Clamping blades

# Easy Cut & Bevel



Sovaniel® Pictures can be modified without notice

	BM14 Electric	BM14 Pneumatic
Power	1100 W/220 V or 440 V	1600 / 3000 L/min
Weight	105 kg	60 kg